

GALAXIE ECO - COSMOS ECO

Product categories

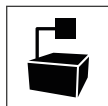


Frozen Food
and Ice cream

Technical features



Ventilated



Remote
condensing unit



LED lighting



High efficiency
fans



Electric defrost



ENERGY CLASS*

*The information on the energy class (according to EU regulations 2019/2018 and EU 2019/2024) reported here refers to standard models and precise product configurations and set-ups. The site is based on the information available at the time of publication. As the energy class depends on the specific product configuration, despite the efforts made to ensure the greatest possible accuracy, the real data can differ significantly from the data declared here. For further information, we invite you to consult the European Product Database for Energy Labelling (EPREL) or to contact our Sales Office.

Certification and patents



Eurovent*

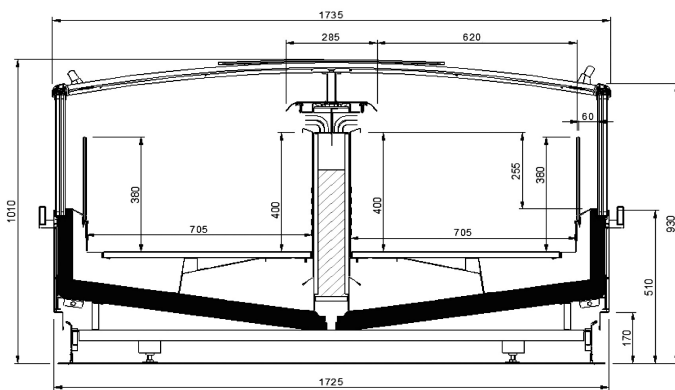
* Epta S.p.A. participates in the ECC programme for: Refrigerated display cabinets (RDC); Check ongoing validity of certificate online: www.eurovent-certification.com or using: www.certiflash.com

Product range

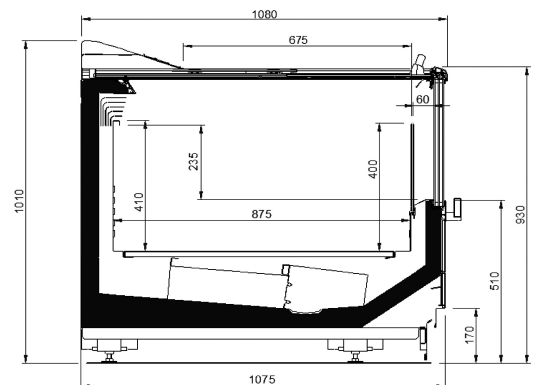
GALAXIE ECO - COSMOS ECO								
Length-Lunghezza Longueur-Länge-Longitud mm	GALAXIE ECO				COSMOS ECO			
	1880	2500	3750	EOL1730	1880	2500	3750	EOL2020
GALAXIE ECO COSMOS ECO	•	•	•	•	•	•	•	•
Display area Superficie di esposizione Warenpräsentationsfläche Surface d'exposition Superficieexpositiva m2	3.20	4.30	6.50	1.80	3.70	5.00	7.50	2.1
Loading area Superficie di appoggio Nutzfläche Surface de chargement Superficie de apoyo m2	3.20	4.30	6.40	2.00	3.79	5.04	7.56	2.16
Net storage capacity Capacità netta Nutzinhalt volume utile Capacidad neta dm3	1050.00	1400.00	2100.00	560.00	1280.00	1700.00	2550.00	682.00
End thickness Spessore spalla Stärke der Seitenwand Épaisseur de chaque joue Espesor lateral mm	Spalla panoramica/Panoramic end/Joue panoramique/ Verglaste Seitenwand/ Lateral panorámico: 70.00 (+104) Spalla cieca/Blind end/Joue et pleine/ Und geschlossene Seitenwand/Lateral panorámico y ciego: 51.00 (+104)							

Cross sections

GALAXIE ECO



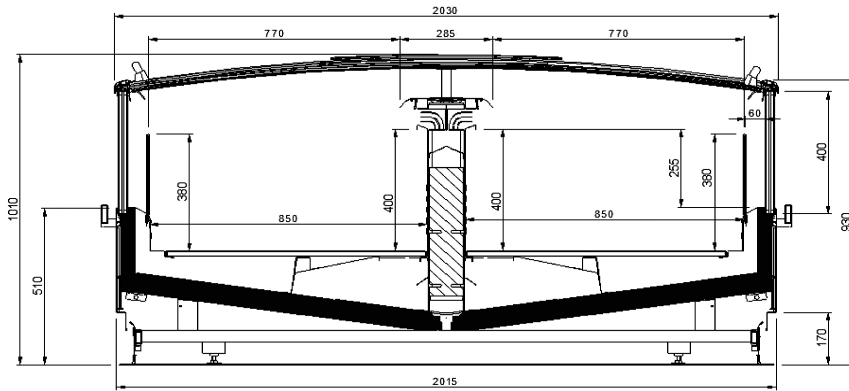
LINEAR



EOL

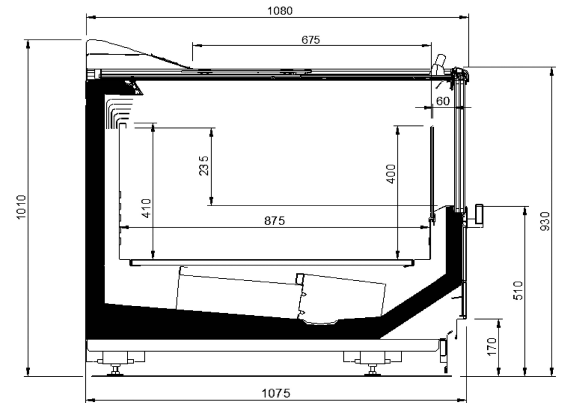
Cross Sections

COSMOS ECO



INEAR

MEDIUM TEMPERATURE - LINEAR



EOL

MEDIUM TEMPERATURE - EOL