

SKYVIEW PLUS

SkyEffect



Product categories



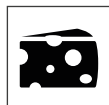
Meat



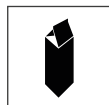
Chicken



Delicatessen



Cheese



Dairy products



Pre-packed
fruit&veg

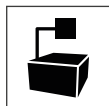


Fruit and
Vegetables

Technical features



Ventilated



Remote
condensing unit



LED lighting



High efficiency
fans



Electric defrost



Off-cycle
defrost

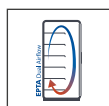


EPTABLUE

Certification and patents



Eurovent*



Epta
DualAirflow



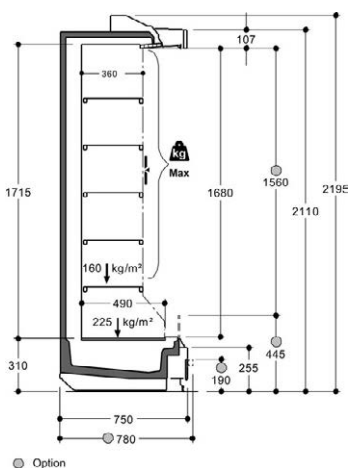
HighFlux

* Epta S.p.A. participates in the ECC programme for: Refrigerated display cabinets (RDC); Check ongoing validity of certificate online: www.eurovent-certification.com or using: www.certiflash.com

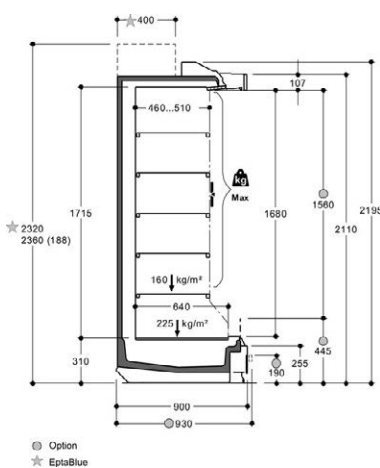
Product range

SKYVIEW PLUS																																				
Length-Lunghezza Longueur-Länge-Longitud mm		1250		1875		2500		3750		EOL1510 Open		EOL1510 Open		EOL1370 Open or Closed		EOL1810 Open		EOL2000 Open or Closed		EOL2310 Open		EOL1510 Open		EOL1330 Open		EOL1810 Open		EOL1960 Open		EOL2320 Open		EOL2320 Open		EOL1960 Open		
Altezza mm		20	22	20	22	20	22	20	22	20	22	20	22	20	22	20	22	20	22	20	22	20	22	20	22	20	22	20	22	20	22	20	22	20	22	
SKYVIEW PLUS	Closed	E	*	*	*	*	*	*	*	*	*	*	*	*	*	*	*	*	*	*	*	*	*	*	*	*	*	*	*	*	*	*	*	*	*	*
		M	*	*	*	*	*	*	*	*	*	*	*	*	*	*	*	*	*	*	*	*	*	*	*	*	*	*	*	*	*	*	*	*	*	*
		V	*	*	*	*	*	*	*	*	*	*	*	*	*	*	*	*	*	*	*	*	*	*	*	*	*	*	*	*	*	*	*	*	*	*
	Open	E	*	*	*	*	*	*	*	*	*	*	*	*	*	*	*	*	*	*	*	*	*	*	*	*	*	*	*	*	*	*	*	*	*	*
		M	*	*	*	*	*	*	*	*	*	*	*	*	*	*	*	*	*	*	*	*	*	*	*	*	*	*	*	*	*	*	*	*	*	*
		V	*	*	*	*	*	*	*	*	*	*	*	*	*	*	*	*	*	*	*	*	*	*	*	*	*	*	*	*	*	*	*	*	*	*
Display area Superficie di esposizione Warenpräsentationsfläche Surface d'exposition Superficie expositiva m ²	Closed	E	3.16	3.42	3.68	3.99	4.21	4.56	6.32	6.84	2.26	2.48																								
		M	3.33	3.59	3.88	4.19	4.44	4.79	6.67	7.19			3.38	3.63	2.84	3.17	4.49	4.82	3.67	4.10																
		V	3.42	3.68	3.99	4.35	4.56	4.91	6.84	7.34					2.92	3.25	4.91	5.29	3.77	4.21																
	Open	E	3.39	3.67	3.95	4.28	4.52	4.90	6.78	7.35	3.42								3.87																	
		M	3.39	3.67	3.95	4.28	4.52	4.90	6.78	7.35					4.38					3.69	4.00	4.76	4.82	5.23	5.32	5.78										
		V	3.49	3.77	4.07	4.39	4.65	5.02	6.97	7.63											4.85	5.25					5.81	6.29	5.27	5.70						
Loading area Superficie di appoggio Nutzfläche Surface de chargement Superficie de apoyo m ²	Closed	E	1.35	1.6	1.85	2.75	1.21	1.21																												
		M	1.65	1.92	2.20	3.30					1.23	1.58	1.77	2.04																						
		V	1.95	2.27	2.60	3.90						1.58	2.08	2.04																						
	Open	E	1.35	1.6	1.85	2.75	1.21											1.21																		
		M	1.65	1.92	2.20	3.30						1.58							1.23	1.58	1.77	2.04	2.04													
		V	1.95	2.27	2.60	3.90							1.58							1.58																
End thickness Spessore spalla Stärke der Seitenwand Épaisseur de chaque joue Espesor lateral mm		30.00 (+ 35 Bumper Rail)																																		

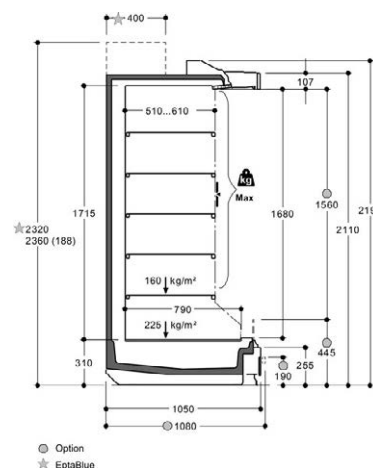
Cross sections



EFFICIA - H2O OPEN

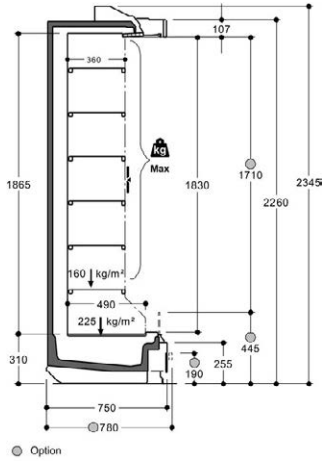


MODULAR - H2O OPEN

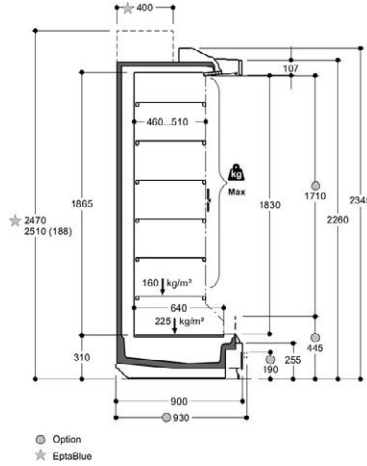


VOLUM - H2O OPEN

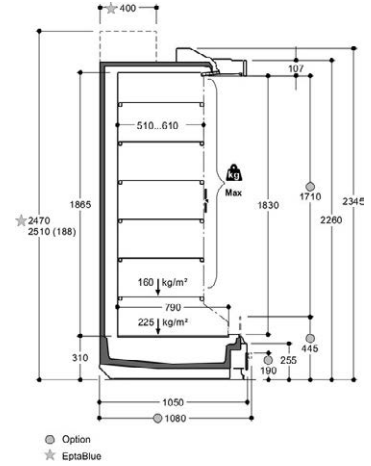
Cross Sections



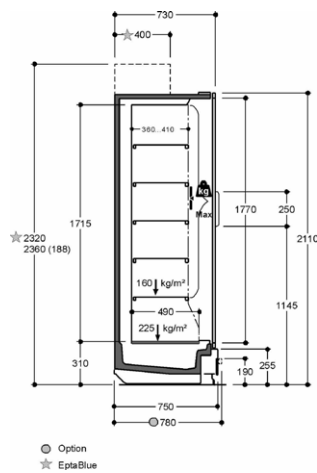
EFFICIA - H22 OPEN



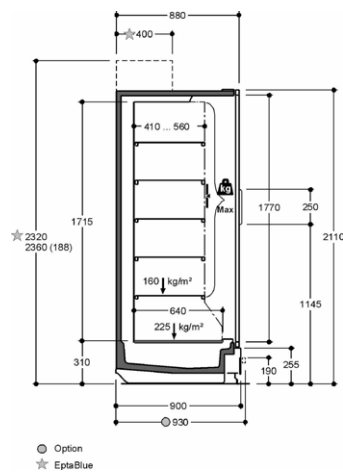
MODULAR - H22 OPEN



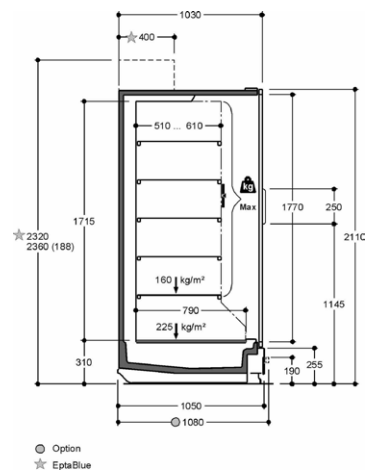
VOLUM - H22 OPEN



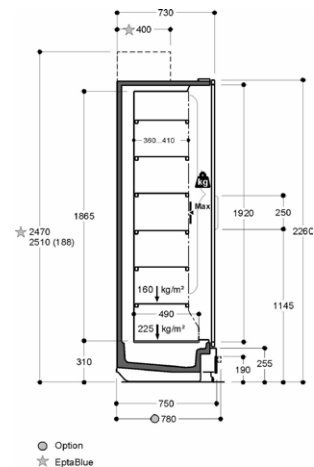
EFFICIA - H20 CLOSED



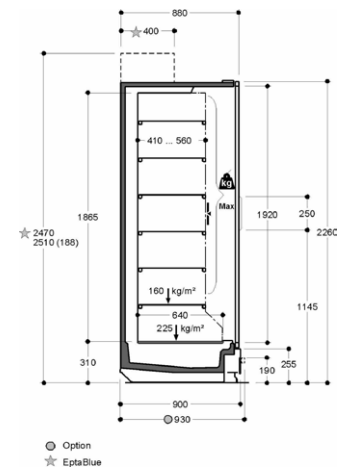
MODULAR - H20 CLOSED



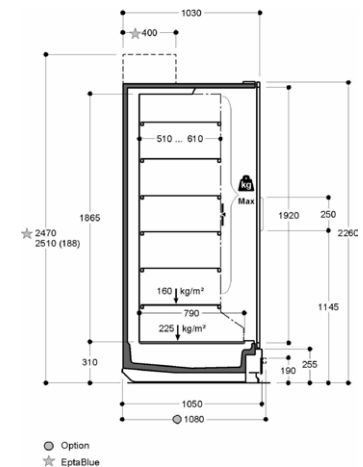
VOLUM - H20 CLOSED



EFFICIA - H22 CLOSED



MODULAR - H22 CLOSED



VOLUM - H22 CLOSED